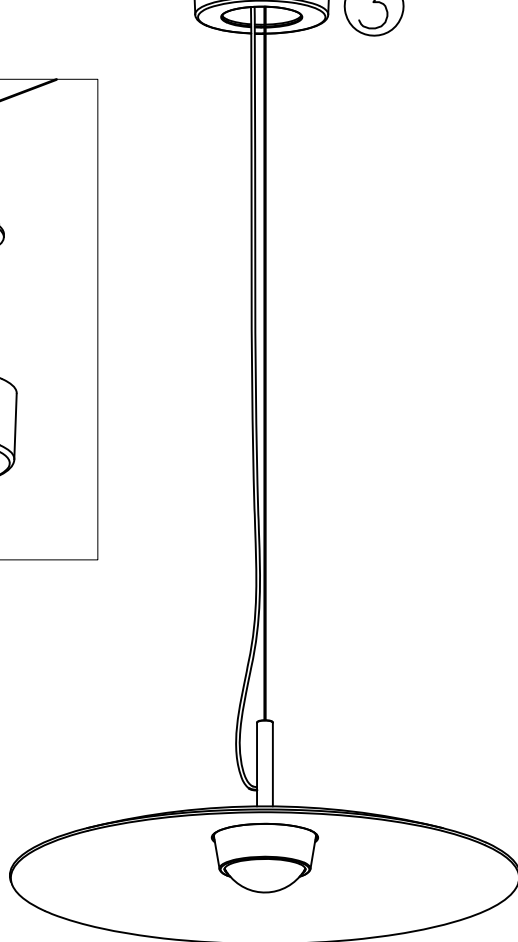
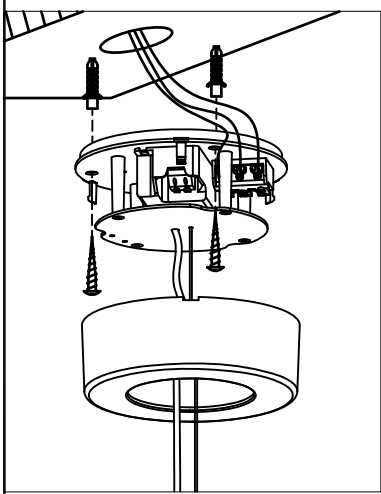
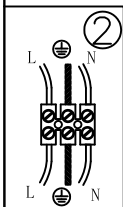
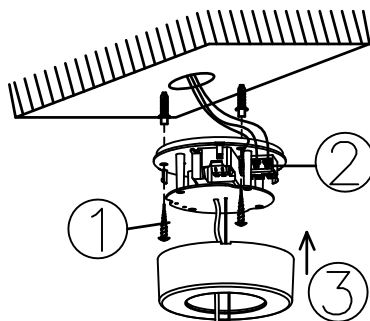
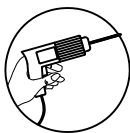


# Instruction for Installation



4412-1P